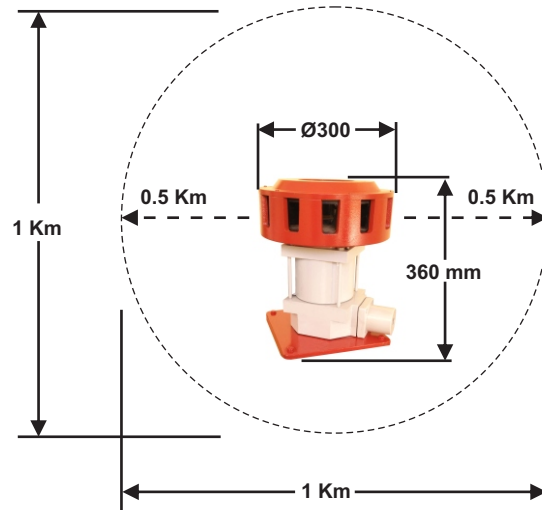


FLAMEPROOF MOTORISED SIREN



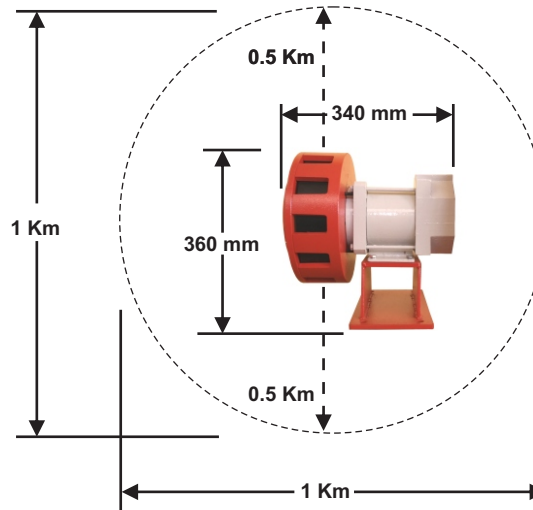
Model:- FMS / UDV / FI



Salient features :

- Aux. Supply :** 415 VAC @ 50Hz
- Power consumption :** 0.25 HP
- Audio range :** 1Km
- Operating Temp. :** Up to 55°C
- Humidity :** 90 % at 40°C
- Enclosure :** LM6, Aluminum
- Coating :** Powder coated
- Dimension :** As per drawing
- Application :** Hazardous area
- Gas group :** IIA, IIB & IIC Zone 1 & Zone 2
- Weight :** 35 Kg.
- Terminals :** Up to 2.5 sqmm.
- Cable entry :** 1 No.
- Mounting :** Base mounting type
- Motor IP :** IP 65

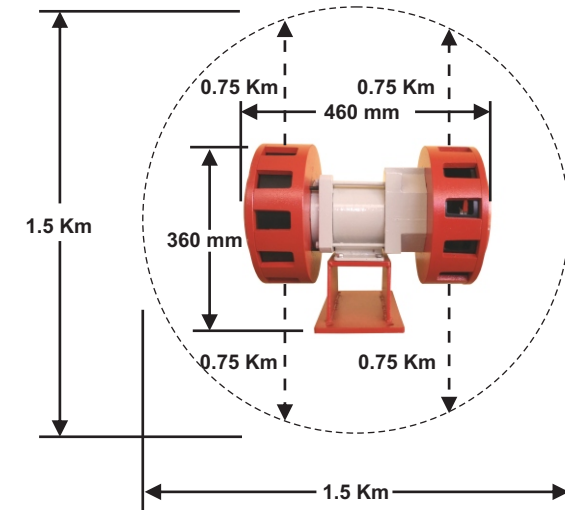
Model:- FMS / UDH / FI



Salient features :

- Aux. Supply :** 415 VAC @ 50Hz
- Power consumption :** 0.25 HP
- Audio range :** 1Km
- Operating Temp. :** Up to 55°C
- Humidity :** 90 % at 40°C
- Enclosure :** LM6, Aluminum
- Coating :** Powder coated
- Dimension :** As per drawing
- Application :** Hazardous area
- Gas group :** IIA, IIB & IIC Zone 1 & Zone 2
- Weight :** 37 Kg.
- Terminals :** Up to 2.5 sqmm.
- Cable entry :** 1 No.
- Mounting :** Base mounting type
- Motor IP :** IP 65

Model:- FMS / BDH / FI



Salient features :

- Aux. Supply :** 415 VAC @ 50Hz
- Power consumption :** 0.5 HP
- Audio range :** 1.5 Km
- Operating Temp. :** Up to 55°C
- Humidity :** 90 % at 40°C
- Enclosure :** LM6, Aluminum
- Coating :** Powder coated
- Dimension :** As per drawing
- Application :** Hazardous area
- Gas group :** IIA, IIB & IIC Zone 1 & Zone 2
- Weight :** 39.500 Kg.
- Terminals :** Up to 2.5 sqmm.
- Cable entry :** 1 No.
- Mounting :** Base mounting type
- Motor IP :** IP 65



Flameproof Instrumentation

E / 14 , Anand nagar MIDC, Ambarnath (E), Dist: Thane, Maharashtra.
 Mai : fi.figroup@gmail.com www.flameproof.co.in