

Flameproof Portable Siren



	SALIENT FEATURES
Charger	230 VAC
Battery backup time	60 minutes
Flasher	LED
Audio Range	95 dB
Operating Temp.	Up to 55°C
Humidity	90% at 40°C
Enclosure	LM 6, Aluminum
Weather Protection	IP 65
Coating	Powder coated
Dimension	As per drawing
Applications	Hazardous area
Gas group	IIA, IIB & IIC, Zone 1 & Zone 2
Weight	6 Kg Max
Terminals	Up to 2.5 Sqmm
Cable Entry	3/4" ET OR M20 OR 3/4 NPT OR 1/2" NPT
Mounting	Wall mounting / slab mounting type

Flameproof Instrumentation

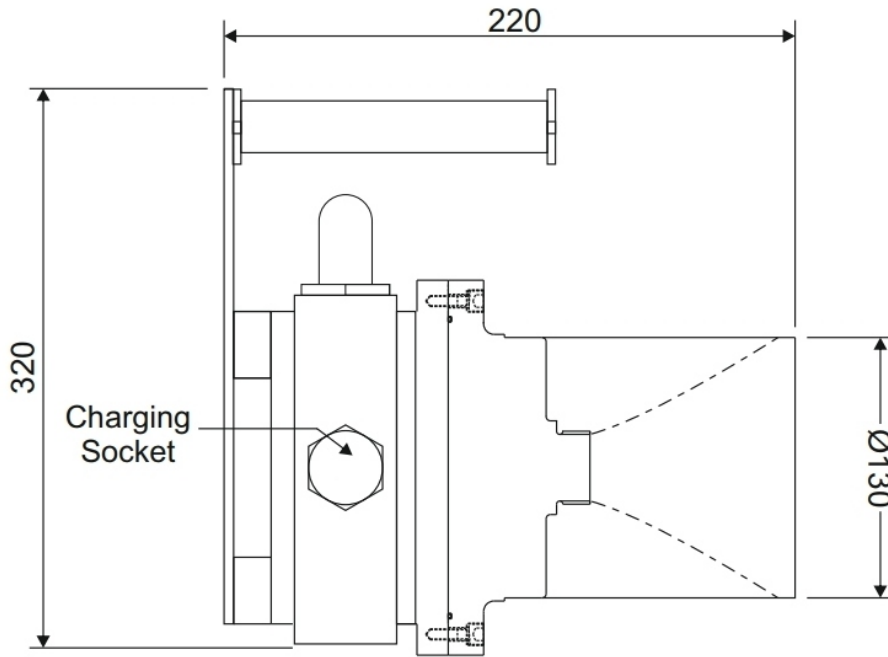
Plot. No. E/14, Addl. MIDC, Anand Nagar, Ambarnath (E), Dist. Thane, Maharashtra, India — 421 506.,

sales@flameproof.co.in

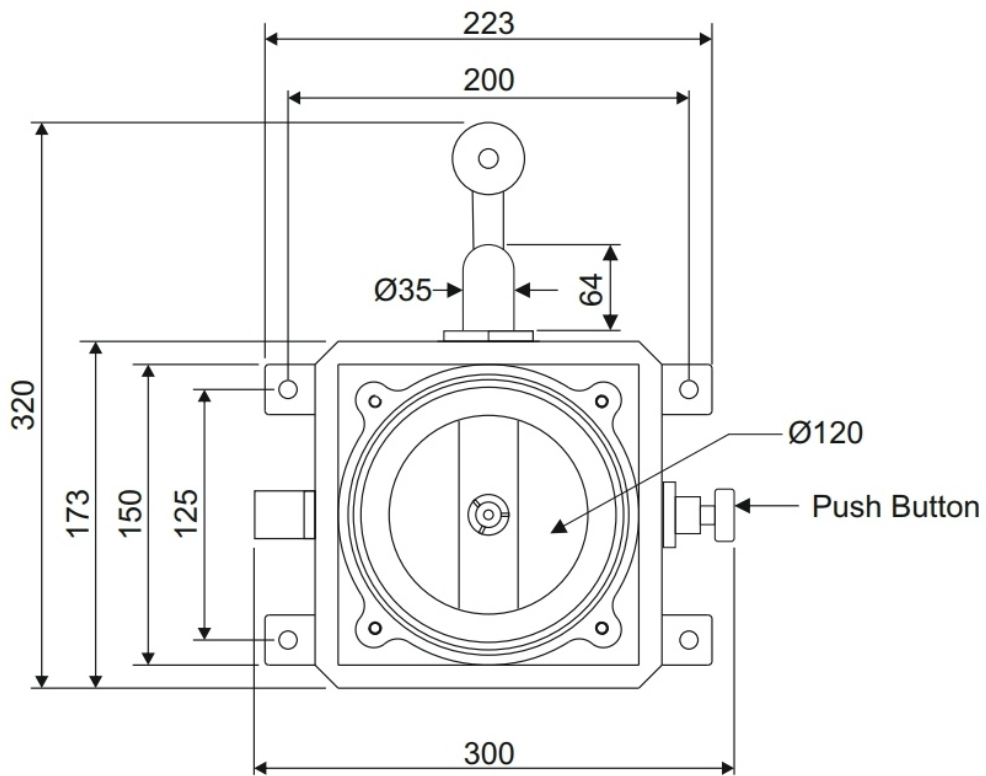
9321160178

www.flameproof.co.in

Dimensional Details



SIDE VIEW



FRONT VIEW



Flameproof Instrumentation

Made in



Flameproof Instrumentation

Plot. No. E/14, Addl. MIDC, Anand Nagar, Ambarnath (E), Dist. Thane, Maharashtra, India — 421 506.,

sales@flameproof.co.in

9321160178



www.flameproof.co.in