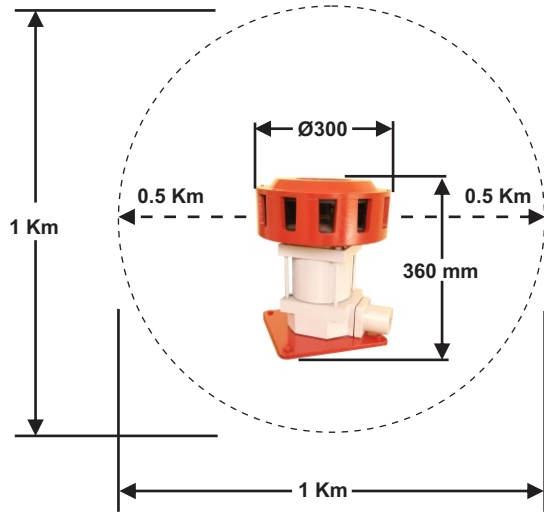
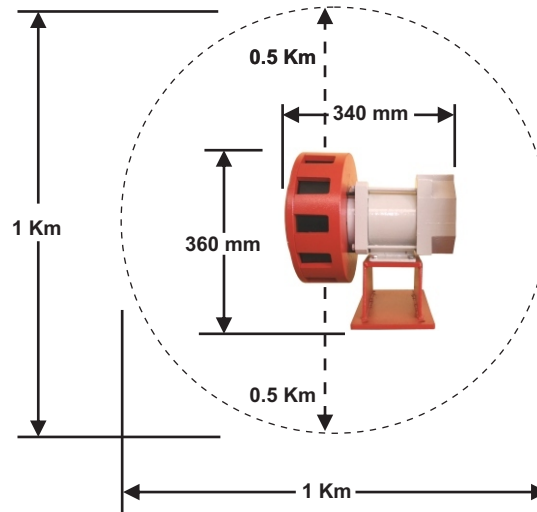


Flameproof Motorized Siren

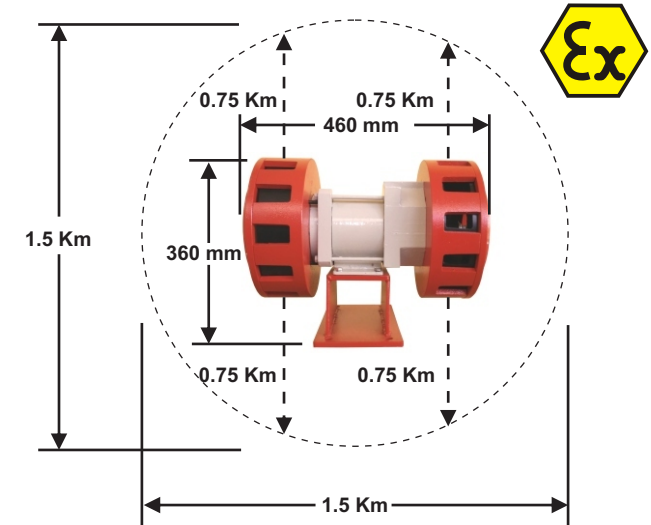
Model:- FMS / UDV / FI



Model:- FMS / UDH / FI



Model:- FMS / BDH / FI



	SALIENT FEATURES
Aux. Supply	415 VAC @ 50Hz
Power consumption	0.25 HP
Audio range	1Km
Operating Temp.	Up to 55°C
Humidity	90 % at 40°C
Enclosure	LM6, Aluminum
Coating	Powder coated
Dimension	As per drawing
Application	Hazardous area
Gas group	IIA, IIB & IIC Zone 1 & Zone 2
Weight	35 Kg.
Terminals	Up to 2.5 sqmm.
Cable entry	1 No.
Mounting	Base mounting type
Motor IP	IP 65

	SALIENT FEATURES
Aux. Supply	415 VAC @ 50Hz
Power consumption	0.25 HP
Audio range	1Km
Operating Temp.	Up to 55°C
Humidity	90 % at 40°C
Enclosure	LM6, Aluminum
Coating	Powder coated
Dimension	As per drawing
Application	Hazardous area
Gas group	IIA, IIB & IIC Zone 1 & Zone 2
Weight	35 Kg.
Terminals	Up to 2.5 sqmm.
Cable entry	1 No.
Mounting	Base mounting type
Motor IP	IP 65

	SALIENT FEATURES
Aux. Supply	415 VAC @ 50Hz
Power consumption	0.25 HP
Audio range	1Km
Operating Temp.	Up to 55°C
Humidity	90 % at 40°C
Enclosure	LM6, Aluminum
Coating	Powder coated
Dimension	As per drawing
Application	Hazardous area
Gas group	IIA, IIB & IIC Zone 1 & Zone 2
Weight	35 Kg.
Terminals	Up to 2.5 sqmm.
Cable entry	1 No.
Mounting	Base mounting type
Motor IP	IP 65



Flameproof Instrumentation

Made in



Flameproof Instrumentation

Plot. No. E/14, Addl. MIDC, Anand Nagar, Ambarnath (E), Dist. Thane, Maharashtra, India — 421 506.,

sales@flameproof.co.in

9321160178



www.flameproof.co.in