

Flameproof Portable Emergency Light




Flameproof Instrumentation

Made in 

Flameproof Instrumentation

 Plot. No. E/14, Addl. MIDC, Anand Nagar, Ambarnath (E), Dist. Thane, Maharashtra, India — 421 506.,

 sales@flameproof.co.in

 9321160178

 www.flameproof.co.in

Flameproof Portable Emergency Light

	SALIENT FEATURES
Charging Input	230 VAC
Wattage	30 / 60 / 100 Watts
Moc	LM 6, Aluminum, IP 65
Weight	15 Kg without trolley / 20 Kg with trolley
Light	High bright LED
Light colour	High bright cool white LED
Battery backup	60 minutes
Charging time	8 Hours, charger inbuilt in box
LED heat dispersion	Through internal thermal construction
Viewing angle	120°
Colour Temperature	6500K
LED Life span	50,000 Hrs
Hardware	SS
Coating	Powder coated
Function Type	Portable light with ON / OFF switch
Operating Temp.	50 °C
Cable entry	Max. 2 Nos. - 3/4" ET
Gas group	IIA, IIB, Zone 1 and Zone 2
Charging Process	By external charger in safe area only



Flameproof Instrumentation

Made in



Flameproof Instrumentation

Plot. No. E/14, Addl. MIDC, Anand Nagar, Ambarnath (E), Dist. Thane, Maharashtra, India — 421 506.,

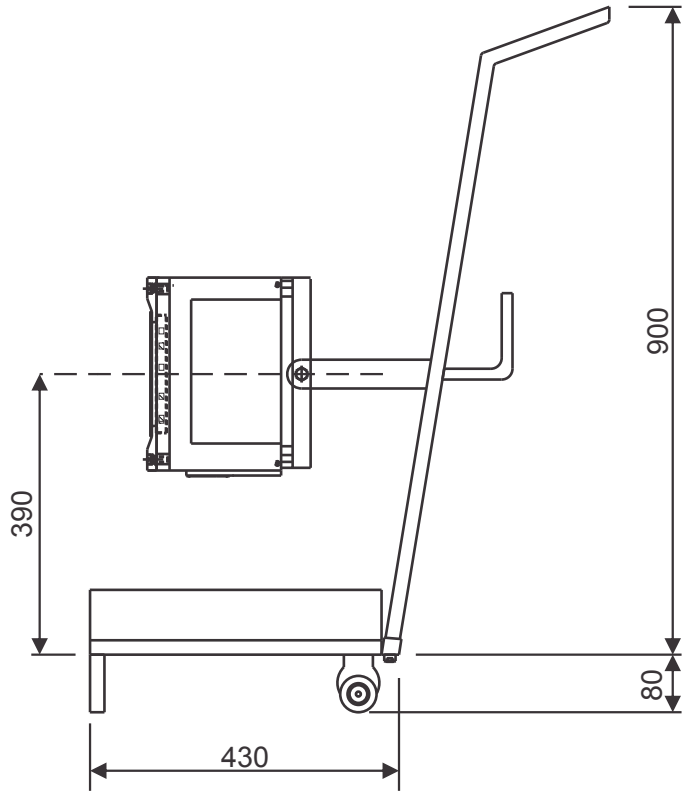
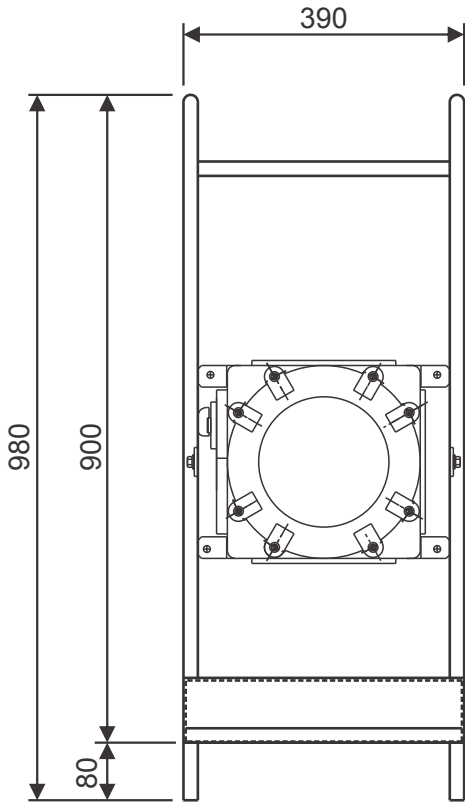
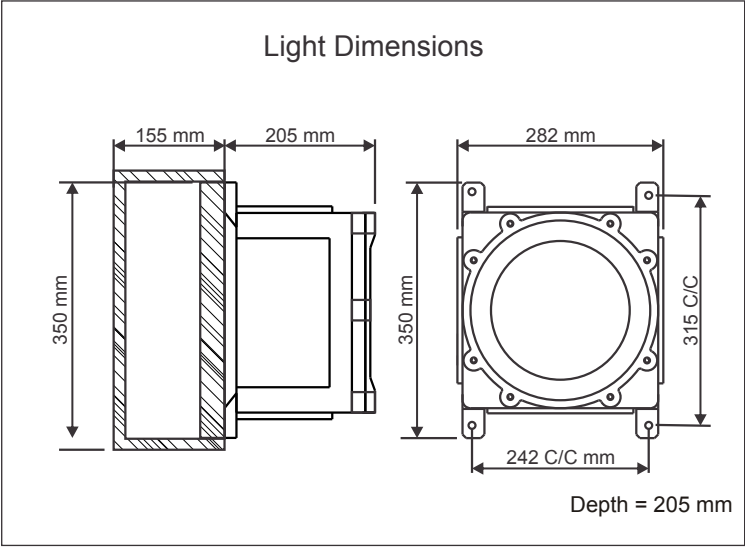
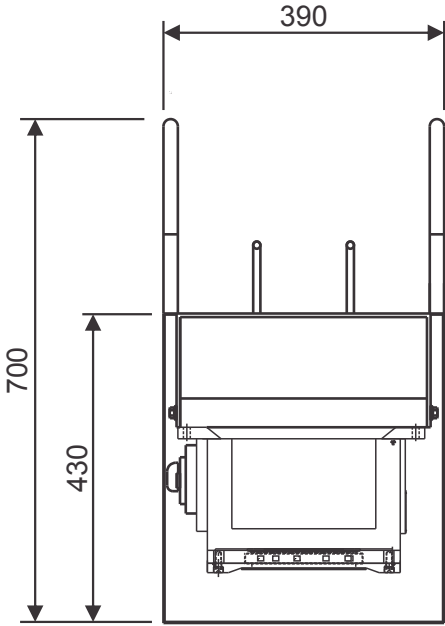
✉ sales@flameproof.co.in

☎ 9321160178



www.flameproof.co.in

Dimensional details



Flameproof Instrumentation

Made in



Flameproof Instrumentation

Plot. No. E/14, Addl. MIDC, Anand Nagar, Ambarnath (E), Dist. Thane, Maharashtra, India — 421 506.,

sales@flameproof.co.in

9321160178

www.flameproof.co.in