

Flameproof Computer



SALIENT FEATURES

Available for Group I & Group IIA & IIB.

Compatible to C.C.TV camera

Modem can be connected

Can be used for LAN connection

Compatible to SCADA

Available with operating table

Weight :- 130 Kg.

PESO & Karandhikar Laboratory approved

Certified Intrinsically safe keyboard cum mouse

Certified Flameproof Computer Enclosure



Flameproof Instrumentation

Made in



Flameproof Instrumentation

Plot. No. E/14, Addl. MIDC, Anand Nagar, Ambarnath (E), Dist. Thane, Maharashtra, India — 421 506.,

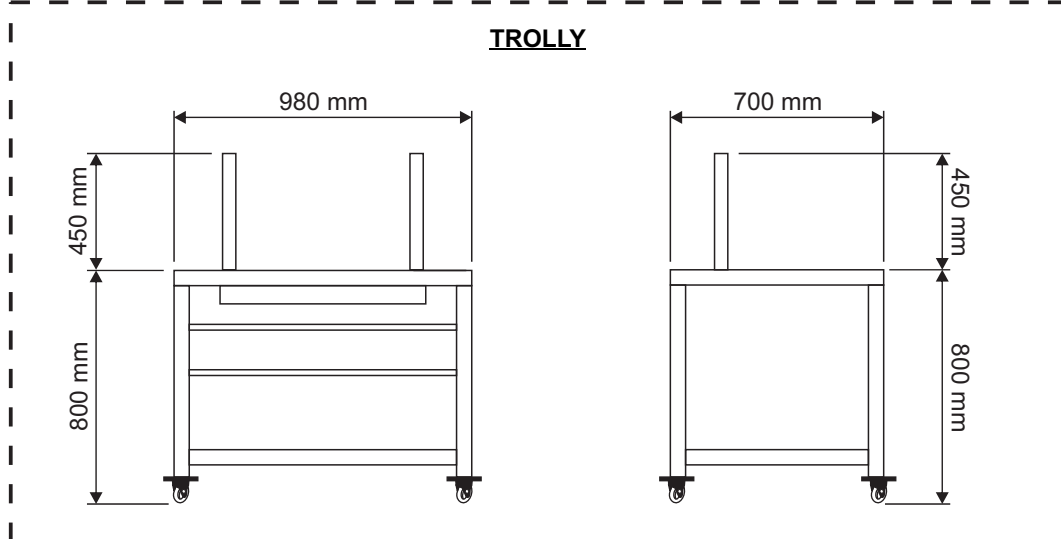
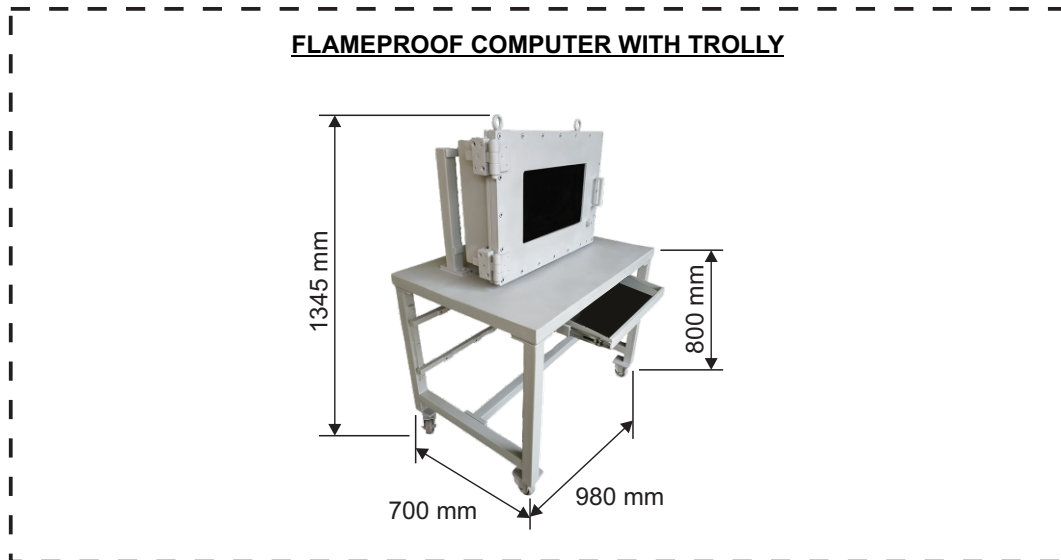
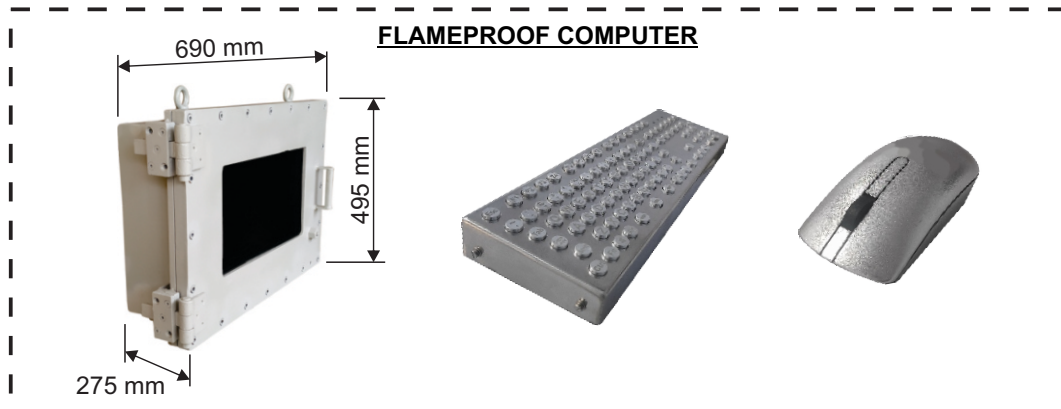
✉ sales@flameproof.co.in

☎ 9321160178



www.flameproof.co.in

G.A. Diagram for Overall Dimensions



Trolley Weight :- 35 Kg.



Flameproof Instrumentation

Made in



Flameproof Instrumentation

Plot. No. E/14, Addl. MIDC, Anand Nagar, Ambarnath (E), Dist. Thane, Maharashtra, India — 421 506.,

sales@flameproof.co.in

9321160178



www.flameproof.co.in

General details & Connections available

SALIENT FEATURES

Monitor brand housed inside enclosure : Reputed make 18.5" display

Tiny CPU Configuration : Subjected to fitment viability in the computer enclosure

RAM & processor : As per tiny CPU configuration

Operating System : Windows 10 pro

USB slots : Available for hard drive / pen drive connection

RJ - 45 socket & HDMI socket provision available

Note :

The above mentioned configurations are standard for computer model provided by us. We can also consider other configurations as per customer requirement.

Configurations & its availability is subjected to frequent change due to technical upgradation.



Flameproof Instrumentation


Made in



Flameproof Instrumentation

 Plot. No. E/14, Addl. MIDC, Anand Nagar, Ambarnath (E), Dist. Thane, Maharashtra, India — 421 506.,

 sales@flameproof.co.in

 9321160178

 www.flameproof.co.in